



CleanSpray

TECHNOLOGIES, LLC

CLEANER SPACES, CONTINUOUS PROTECTION.



CLEANTRANSIT™ SCHOOL BUS SYSTEM

The CleanTransit™ Spray System is a patented time-set fogging system combined with plant-based disinfectant that allows a proven and consistent method of cleaning school buses. A fleet of buses can be disinfected in 90 seconds, with no wipe down needed! The automation dramatically decreases labor costs and eliminates the chance for human error in cleaning, providing economical, thorough and continuous protection for our children and teachers.

- 12 VOLT POWERED - WILL NOT IMPEDE EXISTING ELECTRICAL SYSTEM
- 40 DAYS OF DISINFECTANT ONBOARD
- COMPACT AND INTUITIVE DESIGN - FITS UNDER THE SEAT
- EASE OF REFILL AND SERVICE

The CleanSpray (by Bioesque) solution is a lab-tested, plant-based antimicrobial that helps fight harmful bacteria and viruses in both a natural and effective way. Historically used as a medicinal therapy for throat and skin infections, it is a safer alternative to the harsh chemicals used in traditional cleaning methods.* Our solution is noncombustible and noncorrosive, making it especially safe for the transportation industry.

- NOZZLES HAVE 85 DEGREES OF COVERAGE TO MAXIMIZE CLEANING AREA
- CONSTRUCTED OF AIRCRAFT ALUMINUM FOR A LONG LIFESPAN AND RUGGED DURABILITY
- CUSTOM DESIGNED TO FIT ANY SIZE BUS
- 3-YEAR LIMITED WARRANTY

[CLICK HERE TO SEE IT IN ACTION](#)

*SEE SAFETY SHEET

CleanSpray USA, LLC
140 E. Main Street #200
Lewisville, TX 75057



(469) 240-5544
www.cleansprayUSA.com
roger@cleansprayUSA.com



CleanSpray

TECHNOLOGIES, LLC

CLEANER SPACES, CONTINUOUS PROTECTION.

COST VS. BENEFIT ANALYSIS

TRADITIONAL CLEANING METHODS



CLEANING COST: \$7.00 per cleaning
*2 cleanings per day
\$14 total daily bus cost



FLEET SIZE: 368 busses (Type C)
\$5,152.00 total daily fleet cost



SCHOOL YEAR: 180 days

\$927,360.00 total annual fleet cost

CLEANTRANSIT SYSTEM



CLEANING COST: \$2.39 per cleaning
*2 cleanings per day
\$4.77 total daily bus cost



FLEET SIZE: 368 busses (Type C)
\$1,755.00 total daily fleet cost



SCHOOL YEAR: 180 days

\$315,965.00 total annual fleet cost

ANNUAL SAVINGS

Cleaning Method	Y1	Y2	Y3	Y4
Traditional Cleaning				
Cleaning Cost	\$ 927,360.00	\$ 927,360.00	\$ 927,360.00	\$ 927,360.00
CleanTransit System				
Installation Cost	\$ 1,288,000.00	\$ -	\$ -	\$ -
Cleaning Cost	\$ 315,965.00	\$ 315,965.00	\$ 315,965.00	\$ 315,965.00
Cumulative Savings	\$ (676,605.00)	\$ (65,210.00)	\$ 546,185.00	\$ 1,157,580.00

*cleaning costs and fleet sizes based on DISD School 2019

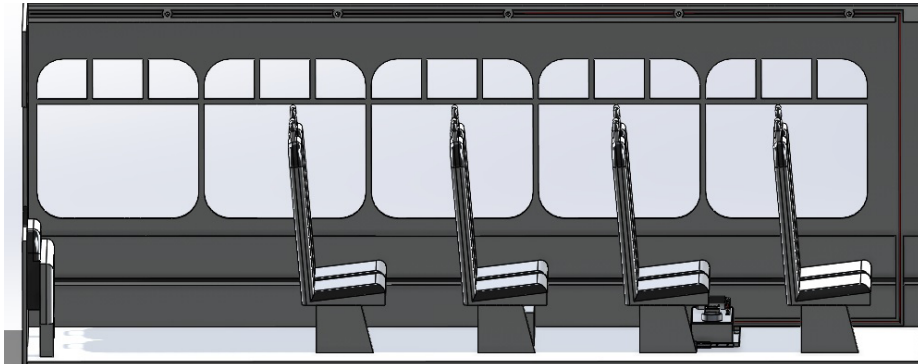




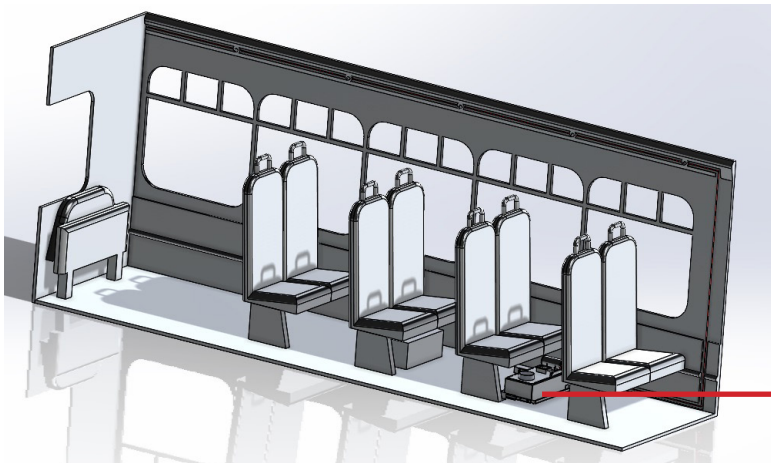
CleanSpray

TECHNOLOGIES, LLC

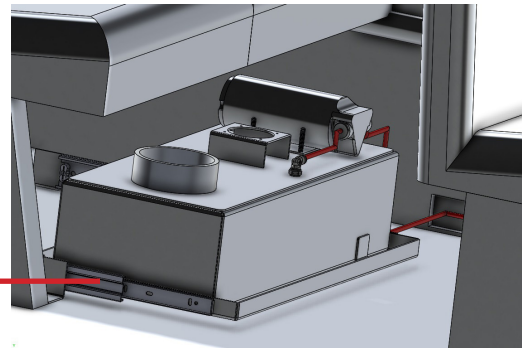
CLEANER SPACES, CONTINUOUS PROTECTION.



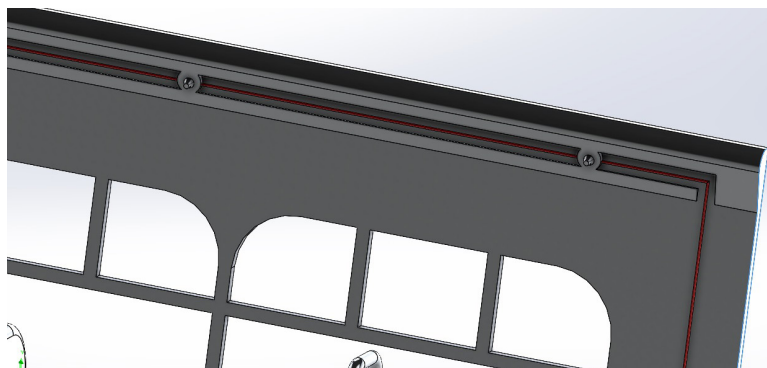
Transit Bus Side View.



Transit Bus 3D Side View.



CleanTransit Self-Contained Automated Spray System.



Side-Wall View - Protrusion Channel Above Windows

